

# YM608 T1/E1 Protection Switch Standalone

## Overview

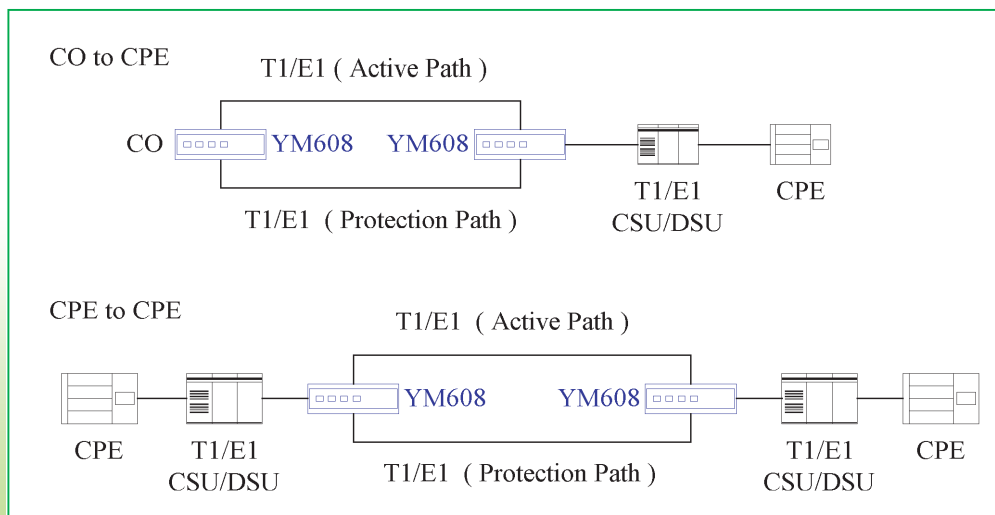
YM608 T1/E1 Protection Switch provides cost effective self-healing network in the event of out of frame , excessive bit error rate or loss of signal for any reason , including cable cuts , equipment failures or signal degradation. It is an T1/E1 circuit monitor , control and switching solution. It also offers the ability to activate backup circuit automatically to ensure the continuity of service.



## Features

- ◆ T1 or E1 interface selectable.
- ◆ 1+1 and 1:1 Automatic switching.
- ◆ Availability to pre-set alarm threshold and switching activation thresholds.
- ◆ Allows user to input parameters and display error status via front panel or RS-232 console port.
- ◆ Both active and standby line status monitoring.
- ◆ T1/E1 circuitry alarm output.
- ◆ Local and remote control of switching capabilities ( 1:1 setting ).
- ◆ End to end or end to C.O. auto-switching capability.
- ◆ 2×24 LCD display panel.
- ◆ Selectable -48V DC or 90 ~ 250V AC power input.
- ◆ SNMP Agent.

## Typical Application



## Specifications



- ◆ **T1 Interface**
  - Bit Rate : 1.544 M b/s
  - Line Code : AMI , B8ZS
  - Frame Format : SF , ESF , Unframed
  - Impedance : 100 Ohms , Resistive , Balanced
  - Input Level : 0 ~ -36 dB
  - Output Level : 6V p-p
  - Line Build Out : 0 ~ 655 feet
- ◆ **E1 Interface**
  - Bit Rate : 2.048 M b/s
  - Line Code : AMI , HDB3
  - Frame Format : CCS , CAS , CCS+CRC , CAS+CRC , Unframed
  - Impedance : 120 Ohms Resistive , Balanced
  - Input Level : 0 ~ -43 dB
  - Output Level : 6V p-p
- ◆ **LED Status Display** : RUN , Master , T1 or E1 , Line 1 and Line 2 Active , Failure , LOS ( Network )  
( working / protection path ) , OOF ( Network ) , AIS , Loopback , Error
- ◆ **Automatic Switching Parameter ( Programmable )**
  - CRC Error :  $10^{-1} \sim 10^{-5}$
  - Frame Error :  $10^{-1} \sim 10^{-5}$
  - BPV Violation :  $10^{-3} \sim 10^{-7}$
  - Loss of Signal ( Loss of signal , Out of Frame or Loss of Frame , AIS )
- ◆ **Recovery Parameter**
  - CRC Error :  $10^{-3} \sim 10^{-7}$
  - Frame Error :  $10^{-3} \sim 10^{-7}$
  - BPV Violation :  $10^{-5} \sim 10^{-9}$
- ◆ **Selectable Fault persisting Interval** : 500 ms , 1000 ms , 1500 ms , 2000 ms
- ◆ **Selectable Recovery Interval** : 0 ~ 98 Minutes
- ◆ **Console Port** : RS-232 ( VT-100 )
- ◆ **Power** : 90 ~ 250V AC , 47 ~ 63Hz or -48V  $\pm$  5V DC ( Option )
- ◆ **Weight** : 1.1 KG
- ◆ **Dimension** : 200 mm ( W )  $\times$  70 mm ( H )  $\times$  240 mm ( D )
- ◆ **Operating Temperature** : 0°C ~ 50°C
- ◆ **Relative Humidity** : 5% ~ 90% , Non-condensing
- ◆ **Regulatory Compliance** : FCC Part 15 Class A
- ◆ **Reliability** : MTBF > 5 years
- ◆ **Network Mangement Interface** : 10 / 100 Base-Tx Interface , SNMP Agent , Standard MIB documentation

Specification is subject to change without notice



**CABLE WAVE TECH CORP.**

[www.cablewave.com.tw](http://www.cablewave.com.tw)

No.,21 Alley 1, Lane 342, Fude 1st Rd., Shijr City,  
Taipei, Taiwan 221, R.O.C.

Tel : 886-2-2693-1888 Fax : 886-2-2694-7982

E-mail : [cablewave@cablewave.com.tw](mailto:cablewave@cablewave.com.tw)